



Date: 11/22/09

Supersedes: 7/18/06

TECHNICAL DATA SHEET

VOONER VANEGARD® LIQUID RING VACUUM PUMP

Specified, constructed, tested, and guaranteed by:

Vooner FloGard® Corporation

P.O. Box 240360, Charlotte, NC 28224-0360
4729 Stockholm Court, Charlotte, NC 28273

Telephone: (704) 552-9314
Toll Free: 1-800-345-7879
Telefax: (704) 554-8230

Model: VG3

Type: Single stage rotor, cone shape ports, liquid ring vacuum pump

Sealing liquid flow rate nominal: 15”HgV (-L cone) - 6 gpm (23 lpm)
20”-24”HgV (-M cone) - 7 gpm (27 lpm)

Sealing liquid connection: ½” NPT

Shaft sealing: Packing

Bearing design: Double row spherical roller bearing, external, grease lubricated, Type: NSK 21308EAE4

Shaft diameter, drive end: 1½”

Pump flange connections: 3” inlet, 2” outlet

Manifold flange connections: 4” inlet, 3” outlet

Approximate pump weight: 425 lbs. (195 kg)

MATERIAL CONSTRUCTION FEATURES

Model	Rotor	Cones	Heads	Bearing Carrier	Housing	Shaft	Packing Gland, Studs, Nuts
A	Ductile Iron	Cast Iron	Cast Iron	Carbon Steel	Cast Iron	Carbon Steel	316 SS
C	304 SS	304 SS	Cast Iron	Carbon Steel	Cast Iron	410 HT SS	316 SS
S	304 SS	304 SS	Cast Iron	Carbon Steel	304 SS	410 HT SS	316 SS
SS4	304 SS	304 SS	304 SS	Carbon Steel	304 SS	316 SS	316 SS
SS6	316 SS	316 SS	316 SS	Carbon Steel	316 SS	316 SS	316 SS

(SS - cast stainless steel)

(HT - heat treated)

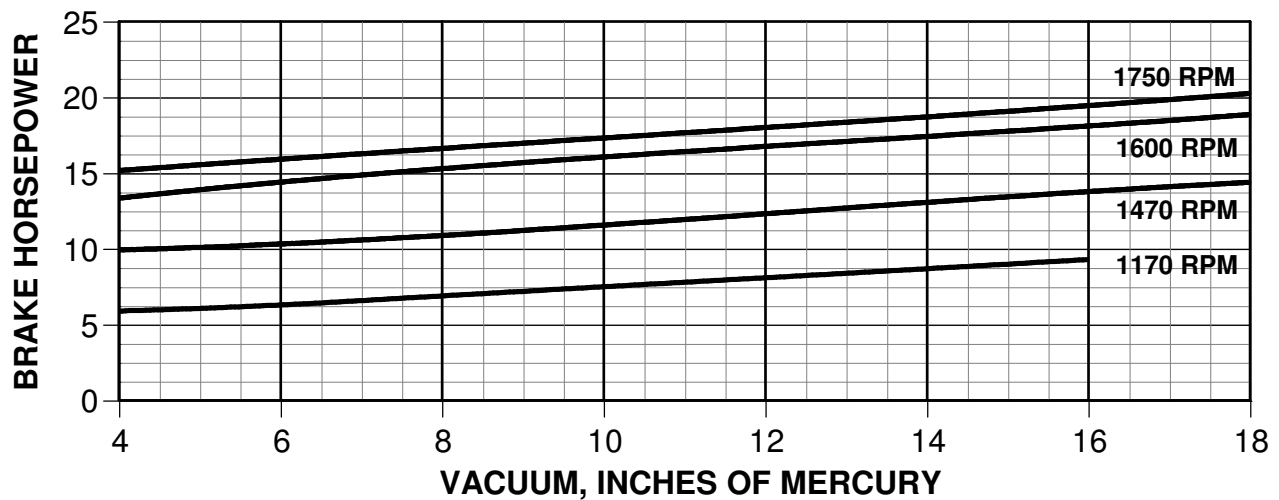
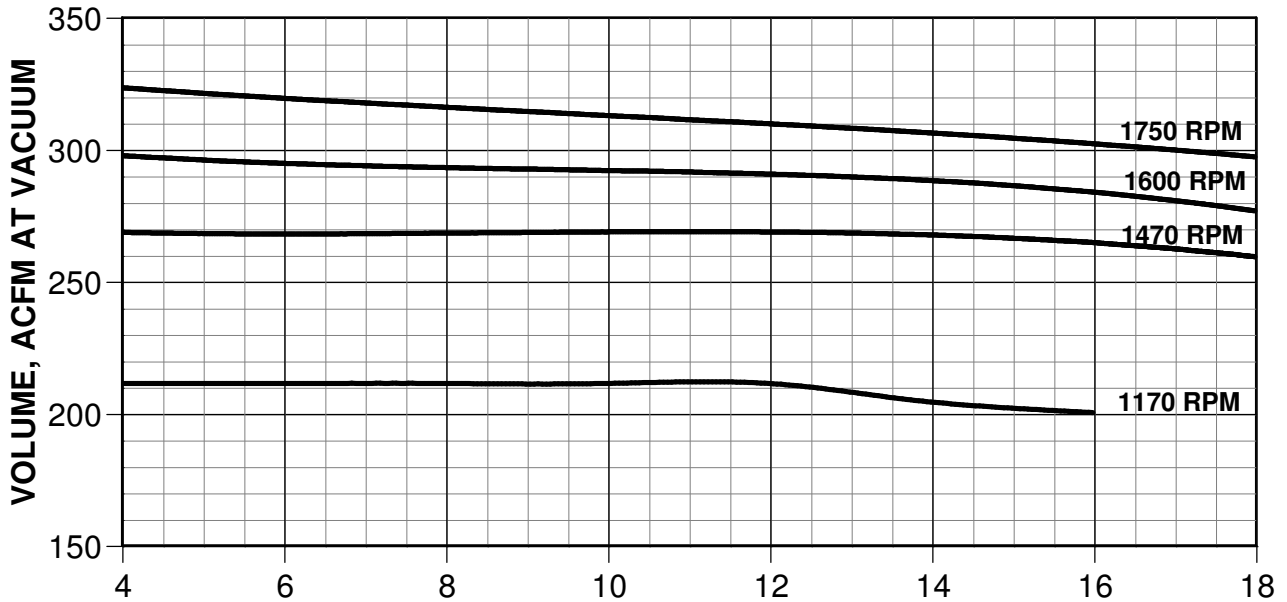
(N/A - not available)



Vooner[®]

VACUUM PUMP, CONE PORT, SINGLE STAGE, LIQUID RING

MODEL: VG3-L



TEST DATA CONDITIONS:
 INLET GAS TEMPERATURE: 60 F @ 50% RELATIVE HUMIDITY
 BAROMETRIC PRESSURE: 29.9" HG ABSOLUTE
 SEALING LIQUID TEMPERATURE: 60 F

Issue date: 11/22/06
 Supersedes date: 03/20/00

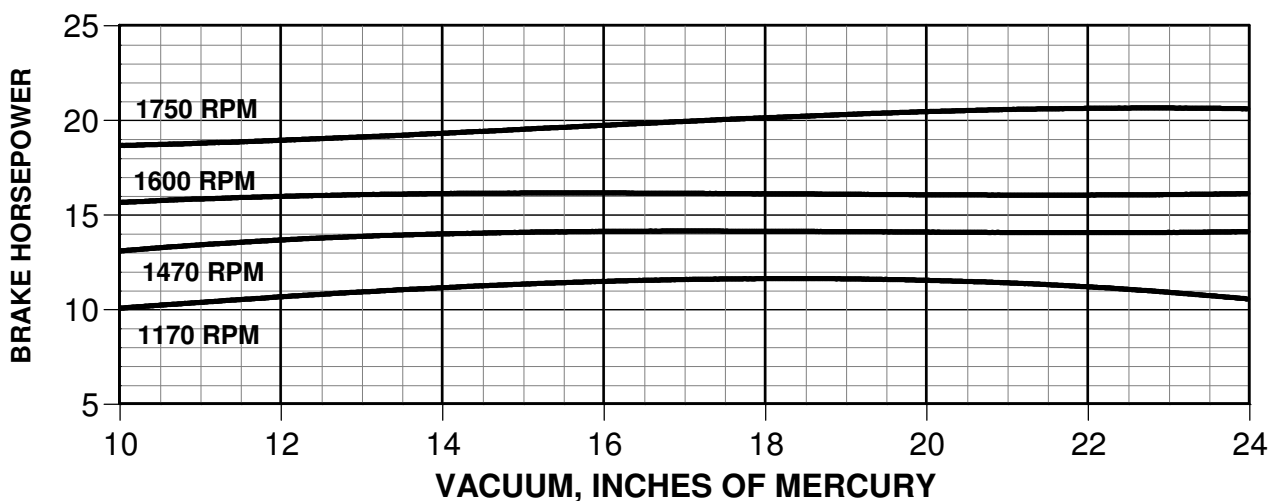
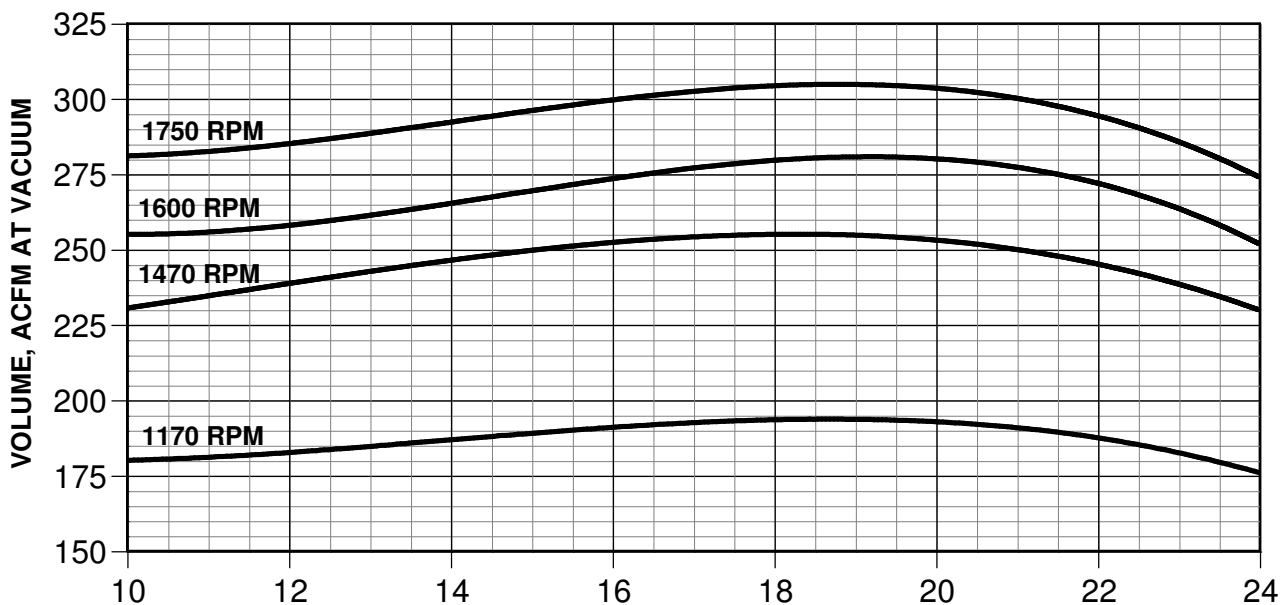
Performance to Heat Exchange Institute Standards (HEI)



Vooner®

VACUUM PUMP, CONE PORT, SINGLE STAGE, LIQUID RING

MODEL: VG3-M



TEST DATA CONDITIONS:

INLET GAS TEMPERATURE: 60 F @ 50% RELATIVE HUMIDITY

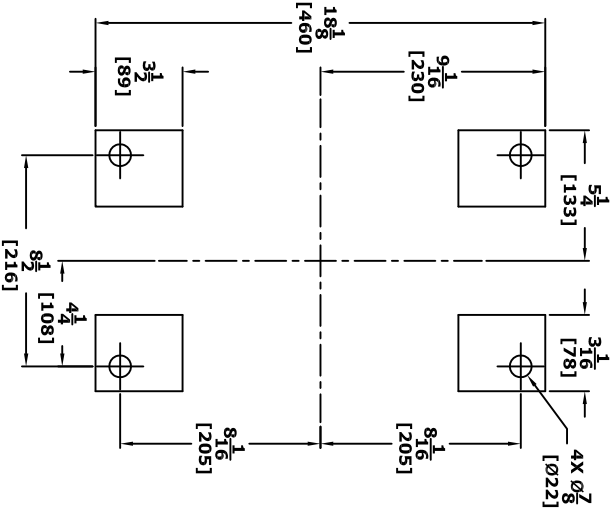
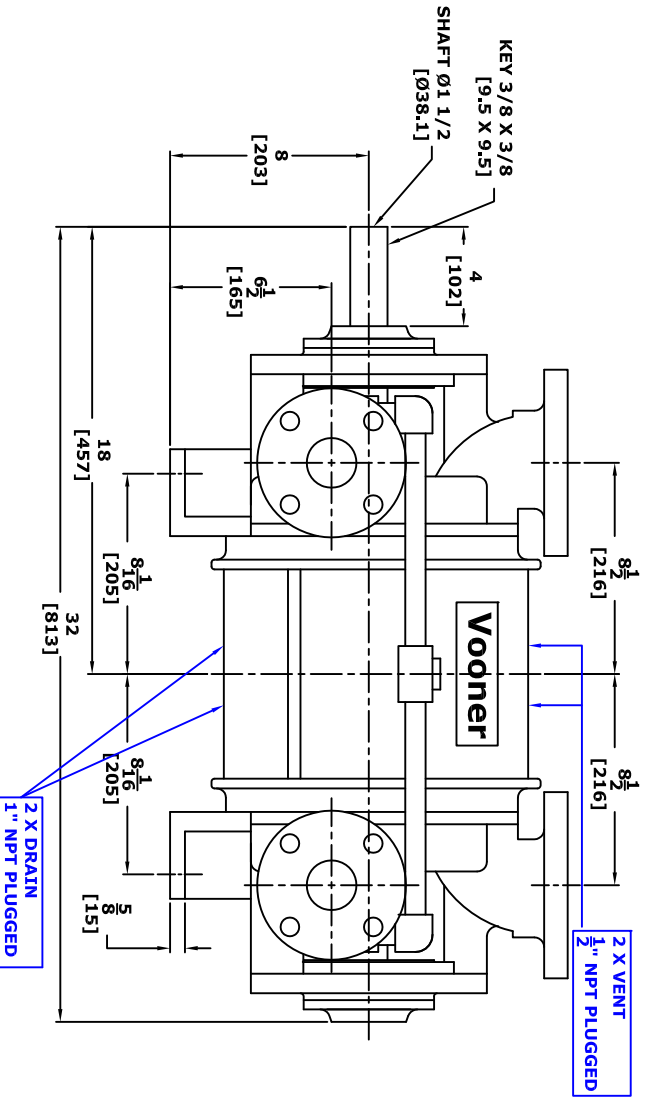
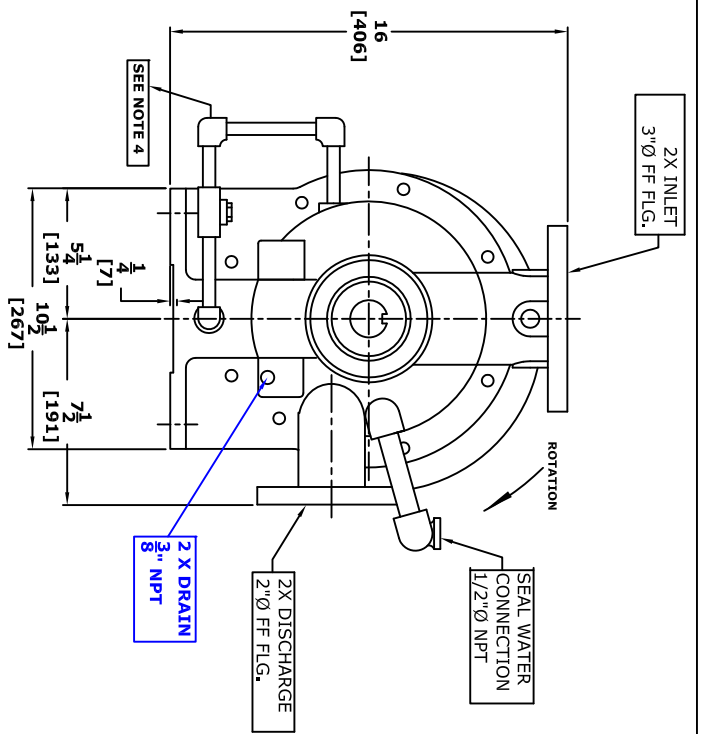
BAROMETRIC PRESSURE: 29.9" HG ABSOLUTE

SEALING LIQUID TEMPERATURE: 60 F

Issue date: 11/22/06

Supersedes date: 03/20/00

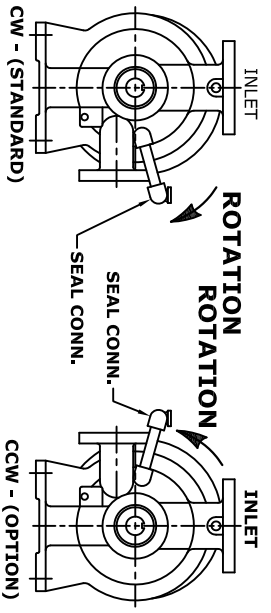
Performance to Heat Exchange Institute Standards (HEI)



PUMP FOOTING

APPROX. WEIGHTS
 PUMP ASSY - DRY 425 [193]
 IMPELLER/SHAFT ASSY 84 [38]
 HOUSING* 75 [34]
 HEADS (EA.)* 99 [45]
 CONES (EA.)* 9 [4]
 BEARING CARRIER (EA) 11 [5]


* COMPONENTS ARE IRON. FOR S/STL ADD 13%.



**ASSY POSITIONS
 (FACING DRIVE END)**

- GENERAL NOTES:
 1) PRIMARY DIMENSIONS ARE IN INCHES. [mm]
 2) FLANGES TO ANSI B16.5 CLASS 125
 BOLT PATTERNS AND THICKNESS, BOLT
 HOLES STRADDLE CENTER LINES.
 3) PIPE THD. CONNECTIONS ARE ANSI B2.1.
 4) SHROUD VENT PIPING FURNISHED ONLY ON
 "-M" AND "-H" MODELS.

THIS DOCUMENT CONTAINS PROPRIETARY INFORMATION OF VOONER FLOGARD CORPORATION, CHARLOTTE, NC. 28273 U.S.A. WRITTEN PERMISSION MUST BE OBTAINED FROM VOONER FLOGARD CORPORATION TO DISCLOSE TO OTHERS ANY INFORMATION CONTAINED HEREON. THIS DOCUMENT, AND COPIES THEREOF, ARE SUBJECT TO IMMEDIATE RETURN TO VOONER FLOGARD CORPORATION ON REQUEST.



Vooner Flogard CORPORATION
 CHARLOTTE, NC 28273

OUTLINE DRAWING
VG3

SIZE	FSCM NO.	DWG NO.	REV
A	NONE	VG3	B

Scale: none 9/24/07 Sheet: 1 of 1