



Date: 2/11/08

Supersedes: 7/18/06

TECHNICAL DATA SHEET

VOONER FLOGARD® LIQUID RING VACUUM PUMP

Specified, constructed, tested, and guaranteed by:

Vooner FloGard® Corporation

P.O. Box 240360, Charlotte, NC 28224-0360
4729 Stockholm Court, Charlotte, NC 28273

Telephone: (704) 552-9314
Toll Free: 1-800-345-7879
Telefax: (704) 554-8230

Model: V4T130

Type: Single stage rotor, cone shape ports, liquid ring vacuum pump

Sealing liquid flow rate nominal: 15”HgV (-L cone) - 60-70 gpm (225-265 lpm)
20”-24”HgV (-M cone) - 110-120 gpm (420-450 lpm)
24”-28”HgV (-H cone) - 150-200 gpm (570-760 lpm)

Sealing liquid connection: 2” NPT

Shaft sealing: Packing

Shaft diameter, drive end: 7.5”

Pump flange connections: 14” inlet (2), 12” outlet (2)

Approximate pump weight: 24,140 lbs. (11,000 kg)

MATERIAL CONSTRUCTION FEATURES

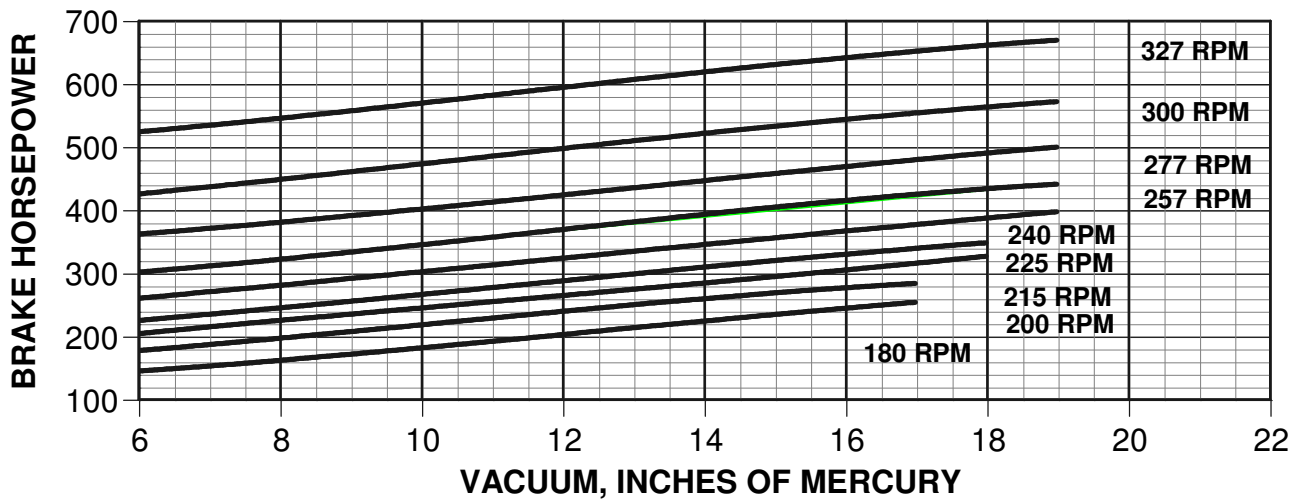
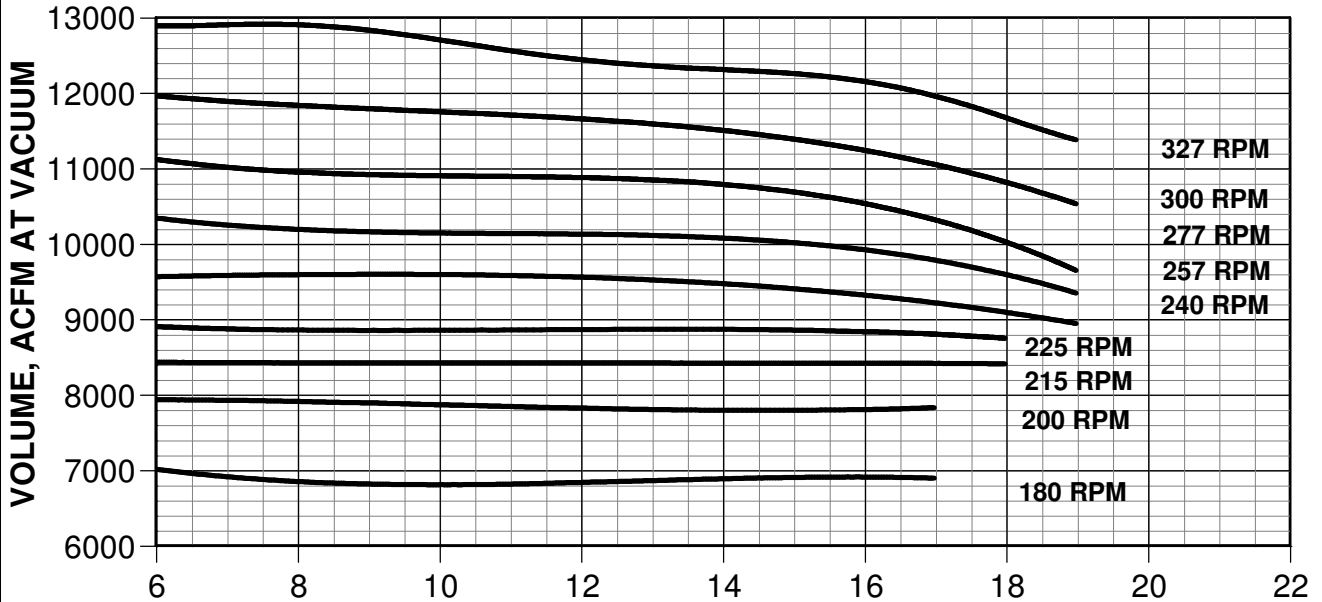
Model	Rotor	Cones	Heads	Bearing Carrier	Housing	Shaft	Pkg Gland, Studs, Nuts
A	Ductile Iron	Cast Iron	Cast Iron	Carbon Steel	Cast Iron	Carbon Steel	316 SS
C	304 SS	304 SS	Cast Iron	Carbon Steel	Cast Iron	410 HT SS	316 SS
XVE4	304 SS	304 SS	*316 SS	Carbon Steel	**304L SS	410 HT SS	316 SS
XVE6	316 SS	316 SS	*316 SS	Carbon Steel	**316L SS	410 HT SS	316 SS
XVS	304 SS	304 SS	*316 SS	Carbon Steel	304 SS	410 HT SS	316 SS
SS4	304 SS	304 SS	304 SS	Carbon Steel	304 SS	316 SS	316 SS
SS6	316 SS	316 SS	316 SS	Carbon Steel	316 SS	316 SS	316 SS

(SS - cast stainless steel) (HT - heat treated)
(*Stainless Steel liner in cast iron housing)

(*Replaceable 316 SS Wear Plates on cast iron heads)



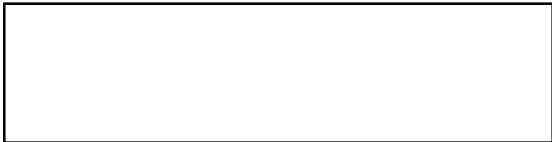
Vooner[®]
VACUUM PUMP, CONE PORT, SINGLE STAGE, LIQUID RING
MODEL: V4T130-L



TEST DATA CONDITIONS:
 INLET GAS TEMPERATURE: 60 F @ 50% RELATIVE HUMIDITY
 BAROMETRIC PRESSURE: 29.9" HG ABSOLUTE
 SEALING LIQUID TEMPERATURE: 60 F

Issue date: 11/22/06
 Supersedes date: 03/20/00

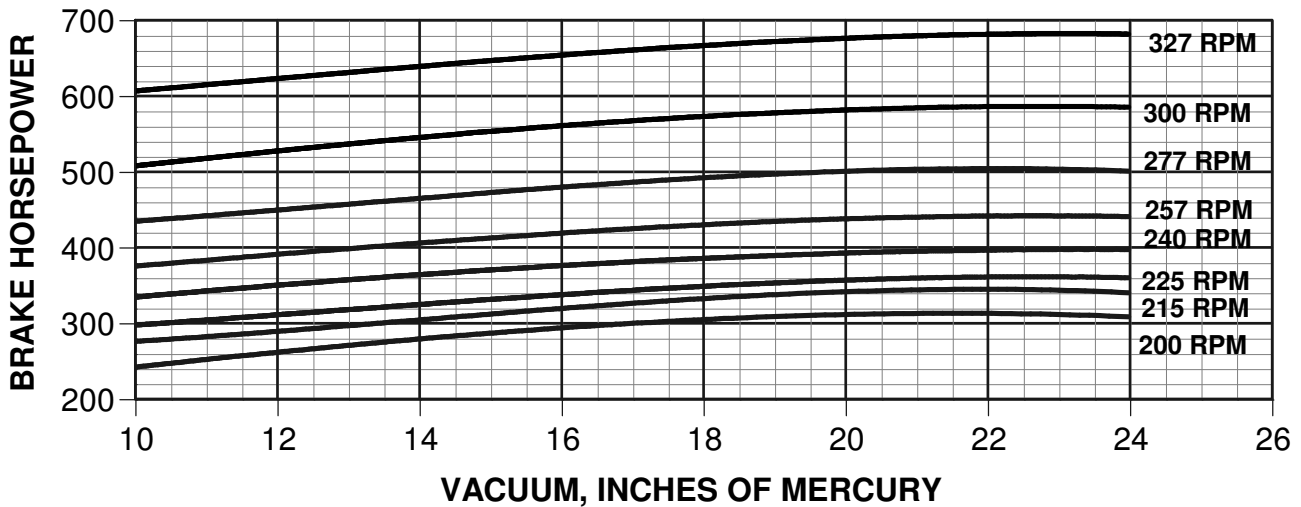
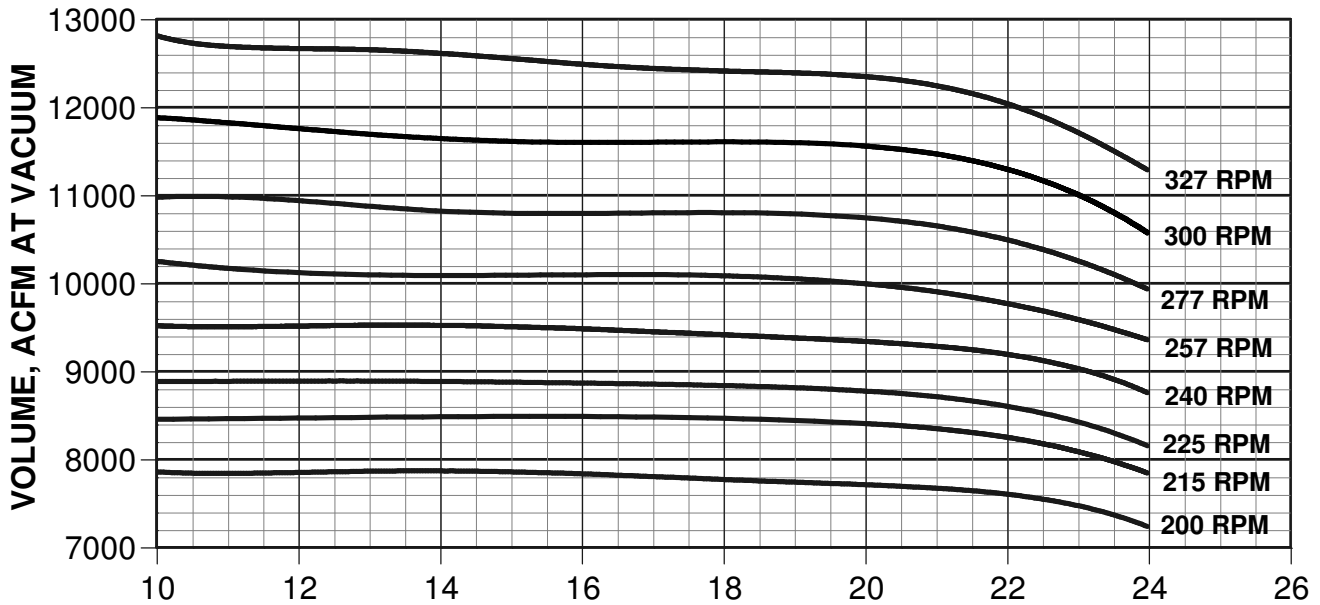
Performance to Heat Exchange Institute Standards (HEI)



Vooner[®]

VACUUM PUMP, CONE PORT, SINGLE STAGE, LIQUID RING

MODEL: V4T130-M



TEST DATA CONDITIONS:
 INLET GAS TEMPERATURE: 60 F @ 50% RELATIVE HUMIDITY
 BAROMETRIC PRESSURE: 29.9" HG ABSOLUTE
 SEALING LIQUID TEMPERATURE: 60 F

Issue date: 11/22/06
 Supersedes date: 03/20/00

Performance to Heat Exchange Institute Standards (HEI)

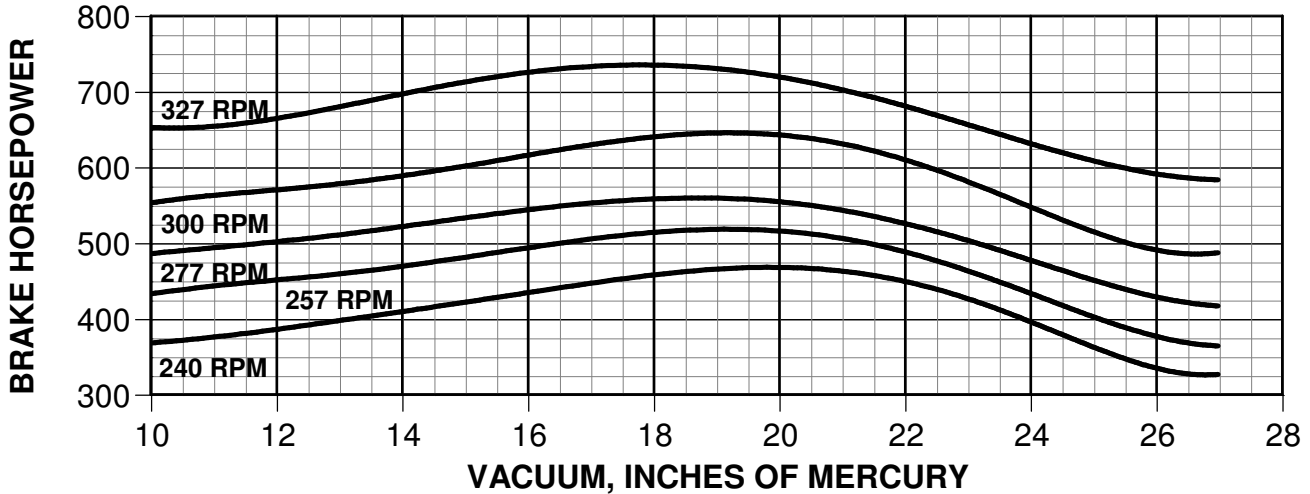
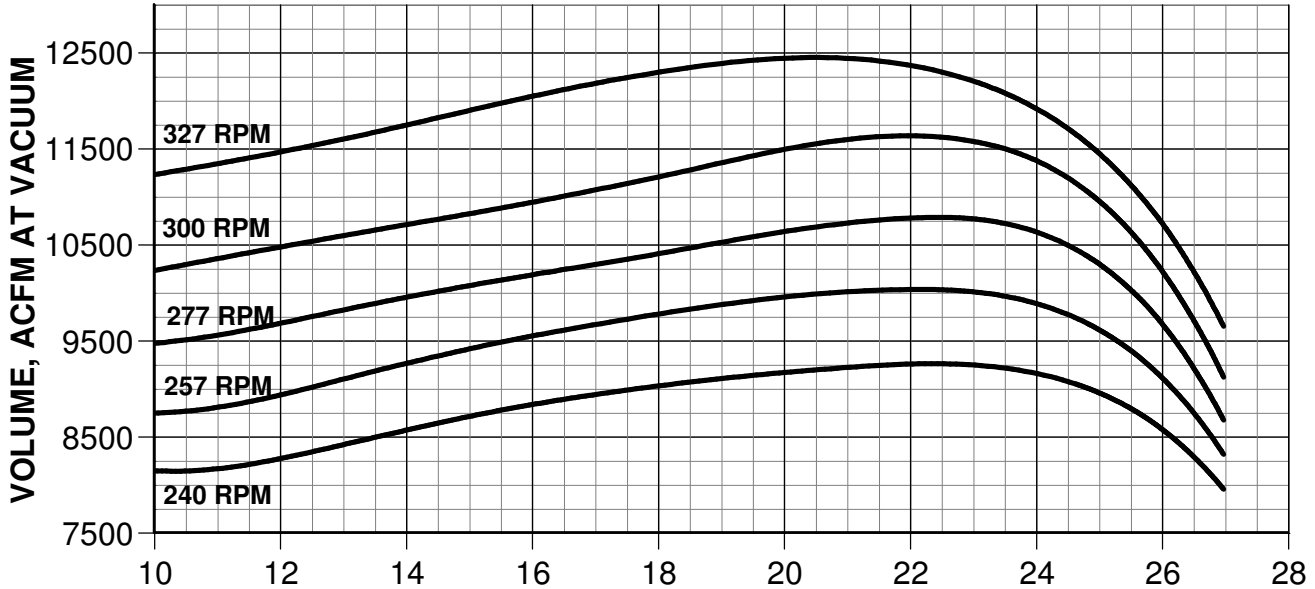
[®] Vooner, [®] VaneGard and [®] FloGard are registered trademarks of Vooner FloGard Corporation.
 Copyright 2007, Vooner FloGard Corporation.



Vooner[®]

VACUUM PUMP, CONE PORT, SINGLE STAGE, LIQUID RING

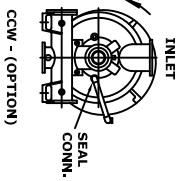
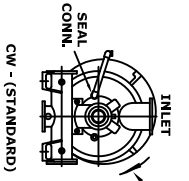
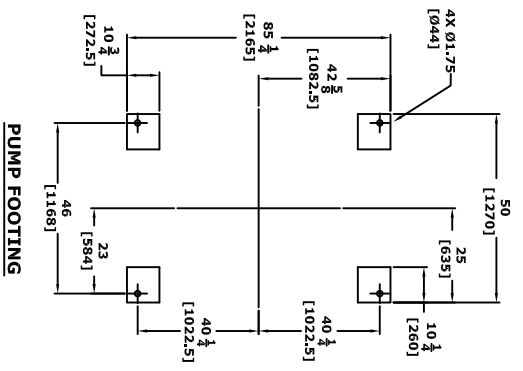
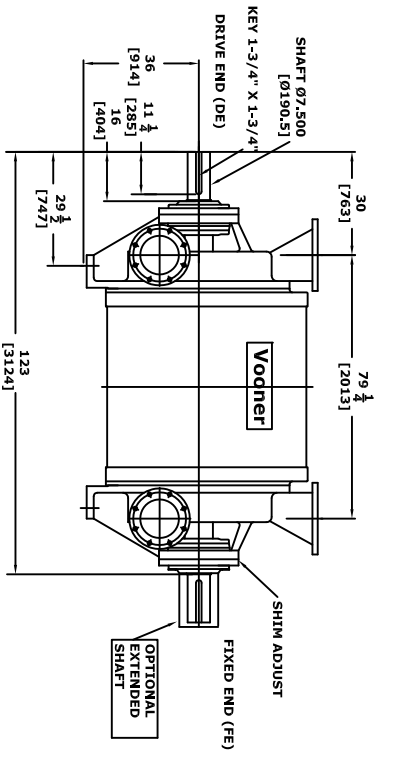
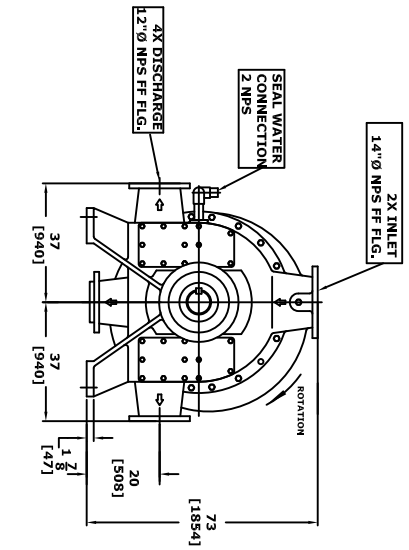
MODEL: V4T130-H



TEST DATA CONDITIONS:
 INLET GAS TEMPERATURE: 60 F @ 50% RELATIVE HUMIDITY
 BAROMETRIC PRESSURE: 29.9" HG ABSOLUTE
 SEALING LIQUID TEMPERATURE: 60 F

Issue date: 11/22/06
 Supersedes date: 03/20/00

Performance to Heat Exchange Institute Standards (HEI)



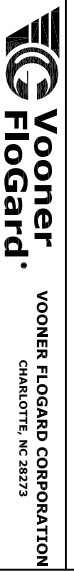
ASSY POSITIONS
(FACING DRIVE END)

APPROX. WEIGHTS

	LBS. [KG]
PUMP ASSY - DRY	23,200 [10500]
IMPELLER/SHAFT ASSY	9,300 [4200]
HOUSING*	5,500 [2500]
HEADS/CONE ASSY (EA.)*	3,500 [1600]

* COMPONENTS ARE IRON, FOR S/STL ADD 13%.

- GENERAL NOTES:**
- 1) PRIMARY DIMENSIONS ARE IN INCHES. [mm]
 - 2) FLANGES TO ANSI B16.5 CLASS 125 BOLT PATTERNS AND THICKNESS. BOLT HOLES STRADDLE CENTER LINES.
 - 3) PIPE THD. CONNECTIONS ARE ANSI B2.1.



OUTLINE DRAWING
V4T130

SIZE	FSCM NO.	DWG NO.	REV
A	NONE	V4T130	B

Scale: none 2/26/08 Sheet 1 of 1

THIS DOCUMENT CONTAINS PROPRIETARY INFORMATION OF VOONER FLOGARD CORPORATION, CHARLOTTE, NC, 28273 U.S.A. WRITTEN PERMISSION MUST BE OBTAINED FROM VOONER FLOGARD CORPORATION TO DISCLOSE TO OTHERS ANY INFORMATION CONTAINED HEREON. THIS DOCUMENT, AND COPIES THEREOF, ARE SUBJECT TO IMMEDIATE RETURN TO VOONER FLOGARD CORPORATION ON REQUEST.