

ROLLTECH[®]

SHOWER ACTUATOR/OSCILLATOR

The “Strong One” . . . Designed for tough applications of up to 1000 lbs linear force.

- Compact design - for easy installation and maintenance.
- Handles any shower length.
- Infinite adjustment of stroke length up to 12 inches (305 mm).
- Adjustable stroke rate.
- Ideal for tough paper mill environments.
- “Rollnut” Technology uses low friction, highly efficient roller packages.
- “Gimbal Mounting” for reduced load during oscillation.
- 12 month warranty.

GENERAL

The **ROLLTECH[®] Actuator** is the basic model in a series of highly specialized shower actuators optimized for their respective range of applications. The advanced “Rollnut” technology has a roller package that rides in single helical groove on the shaft providing a line contact arrangement versus a point contact as in a ball reverser screw design. Efficiency remains constant at a high level at varying load requirements.

The **ROLLTECH[®] Actuator** is mounted in a gimbal mounting near the balance point of the actuator allowing some multi-directional movement which provides a non-binding movement of the actuator. This arrangement is very forgiving of slight misalignment of the actuator and shower and prevents premature failure due to excessive binding loads.

Split bearings with UHMW Polyethylene liners and anti-rotation bars keep the shower in correct position and allow removing the shower from the paper machine and replacing it again without realigning the bearings.

TECHNICAL DATA

Type	ROLLTECH [®] actuator for oscillating paper machine showers to achieve complete coverage cleaning.
Manufacturer	Vooner Paper Machinery, Greenville, TN, USA
Wetted Parts	All wetted parts 316SS
Lubrication	The ROLLTECH [®] actuator ships with oil and will not need lubrication during it's life.
Maintenance	None
Control Panel	NEMA 4X, H - 20 inches , W - 18 inches, D - 9 inches, door safety switch, material fiberglass. 110 VAC power, (2) 4 amp thermal breakers, PLC is Modicon Twido start/stop button, manual/auto switch. Three (3) lights: start, pulse, and alarm 4-20 ma connections for DCS



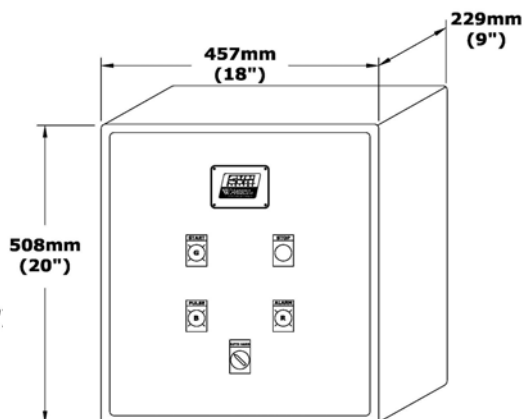
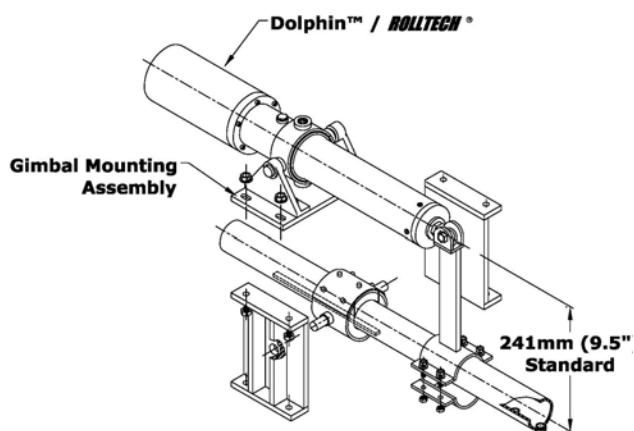
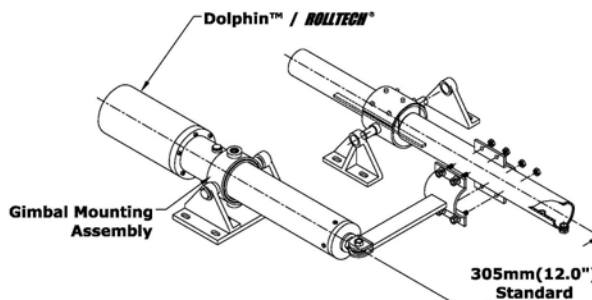
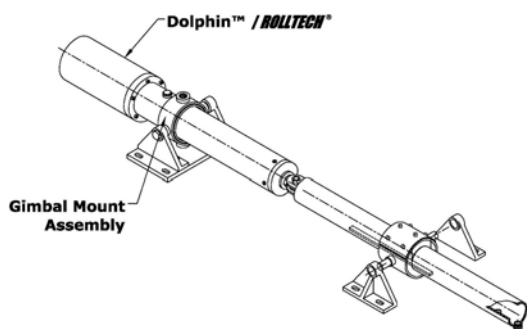
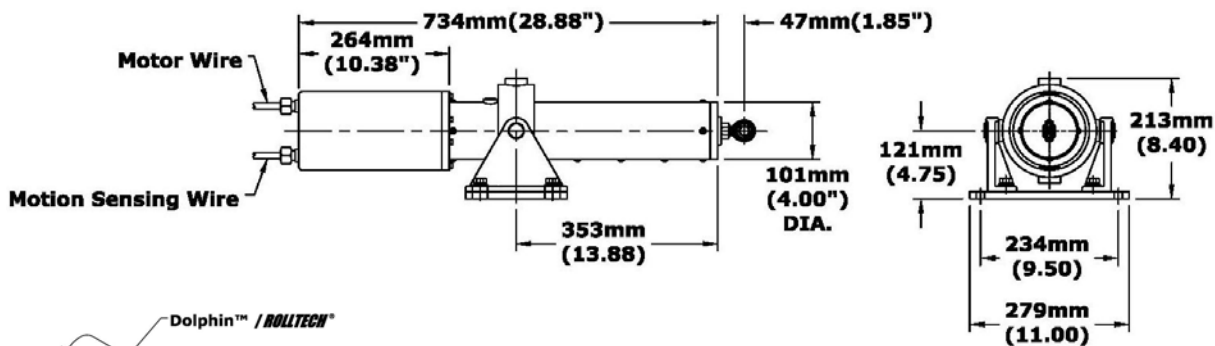
ROLLTECH[®] shower actuator with gimbal mounting attached.

Motor	0.025 horsepower (0.0186 kw) 220-volt AC, 3-phase, 0.3 amp, 50/60 HZ, motor speed 60/72 rpm. An integral gear box is attached for stroke rate.
Motion Sensing	24-volt DC.
Proximity Switch	Note two wires from motor housing, a motor lead and a proximity switch lead clearly marked as to how to connect. A separate power connection, 110 VAC, is needed for a panel board if used.
Home Proximity Switch	24-volt DC. (The proximity switches share one of two wires out of the motor housing. The second wire is the 220-volt motor wire.) The control panel requires a separate 110-volt electrical connection.
Weight	Actuator weight 60 lbs, attached gimbal mounting weight 12 lbs (without trunnions), total assembly weight 72 lbs
Temperature	Motor cover will reach 43°-54° C (110° - 130° F). Maximum motor shell temperature is 100° C (212° F). A water cooled jacket is available for higher temperature environments.
Noise	less than 80 decibels

ROLLTECH[®] SHOWER ACTUATOR



DIMENSIONS AND MOUNTING



SERVICE

- Spare actuators, parts, and rebuild services are located in Greeneville, Tennessee.
- Onsite technical service is available from Greeneville, Tennessee.