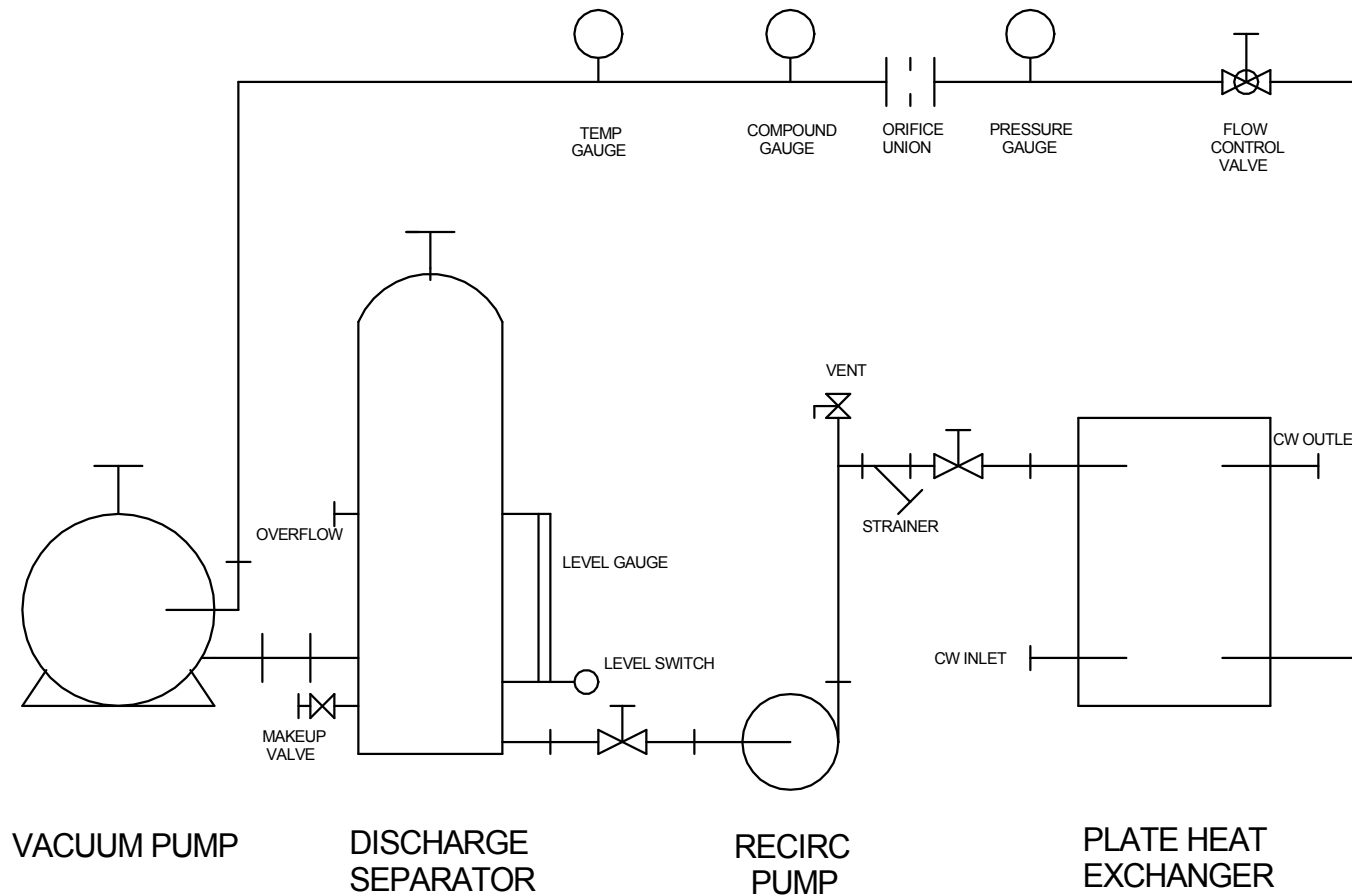


# VOONER FLOGARD LIQUID RING VACUUM PUMP TYPICAL RECIRCULATED SEAL WATER SYSTEM



THIS DOCUMENT CONTAINS PROPRIETARY INFORMATION OF VOONER FLOGARD CORPORATION, CHARLOTTE, NC, 28273, USA. WRITTEN PERMISSION MUST BE OBTAINED FROM VOONER FLOGARD TO DISCLOSE TO OTHERS ANY INFORMATION CONTAINED HEREON. THIS DOCUMENT, AND COPIES THEREOF, ARE SUBJECT TO IMMEDIATE RETURN TO VOONER FLOGARD CORPORATION UPON REQUEST.