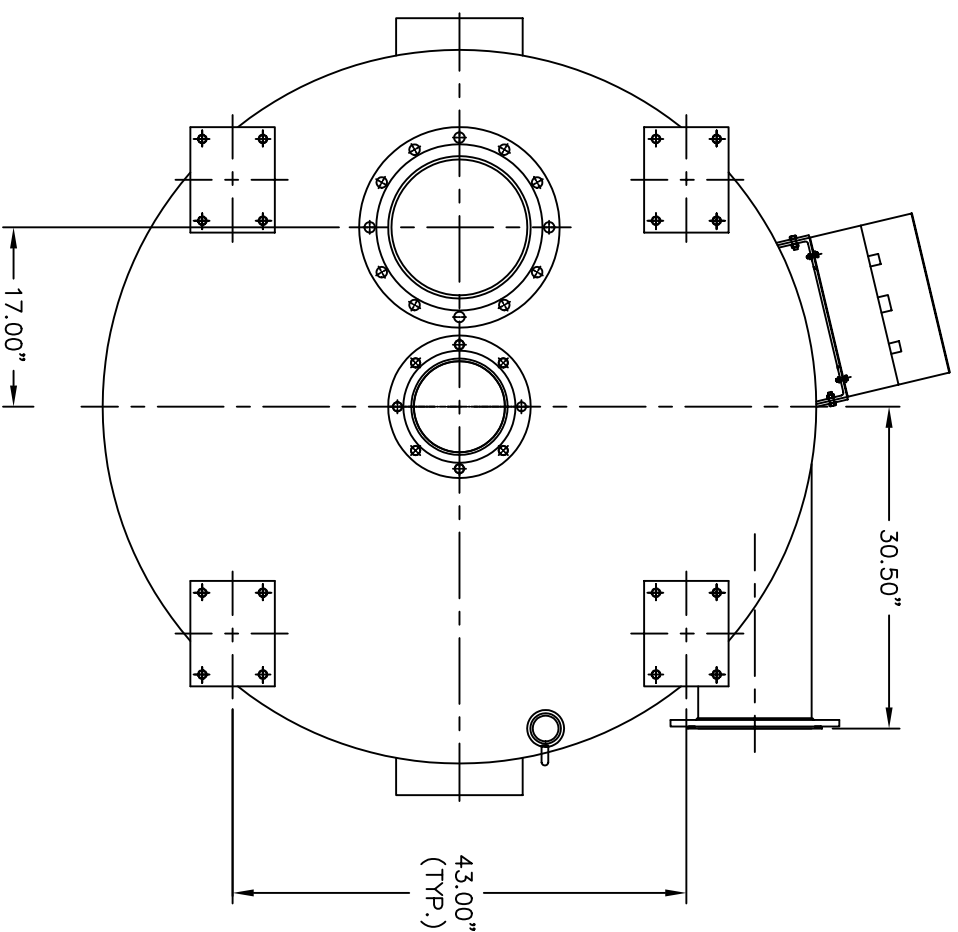


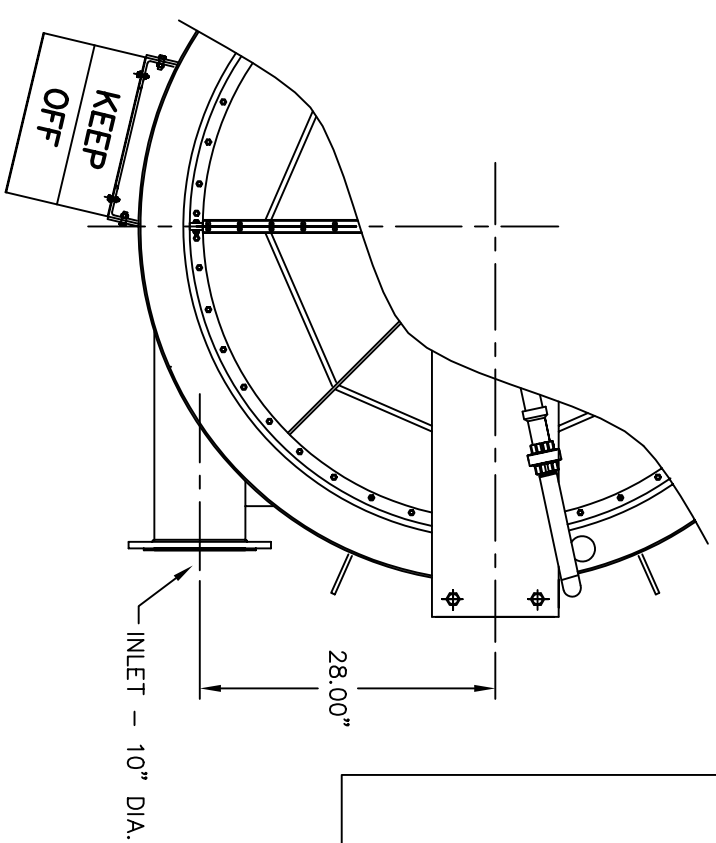
OPERATION PARAMETERS

DESIGN – FLOW RATE(GPM):	250 – 1050 GPM
DESIGN – SOLIDS/FIBER (PPM):	
SPRAY WATER FLOW (GPM @ 40 PSI):	20 GPM
NOZZLE QUANTITY:	20
NOZZLE TYPE:	65 ° FAN, ORIF. DIA.: .075"
NOZZLE PART NO.:	GSD1-6-134
SPRAY INTO REJECT (GPM):	9 – 18 GPM
FILTER MEDIA (MICRON/MESH):	
INLET:	10" DIA.
ACCEPT:	12" DIA.
REJECT:	8" DIA.
VOLTAGE TO PANEL:	
SPRAY ARMS ROTATION SPEED RANGE:	5 TO 16 RPM.
MOTOR/GEARBOX HP/RATIO:	1/2 HP/256:1
MOTOR/GEARBOX VOLTAGE:	220-440V 3 PH 60 HZ
SHIPPING WEIGHT:	APPROX 6500 LBS.

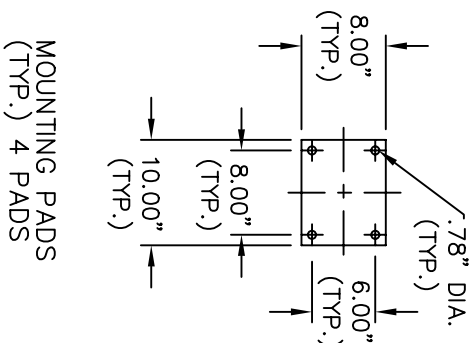
- NOTES:
1. MODEL EQUIPPED WITH TWO SPRAY ARMS.
 2. TOLERANCE – +/-.25"
 3. GALVANIZED FLANGES ARE STANDARD.
 4. 316L STAINLESS STEEL ANGLE RINGS ARE STANDARD.
 5. DO NOT SCALE PRINT



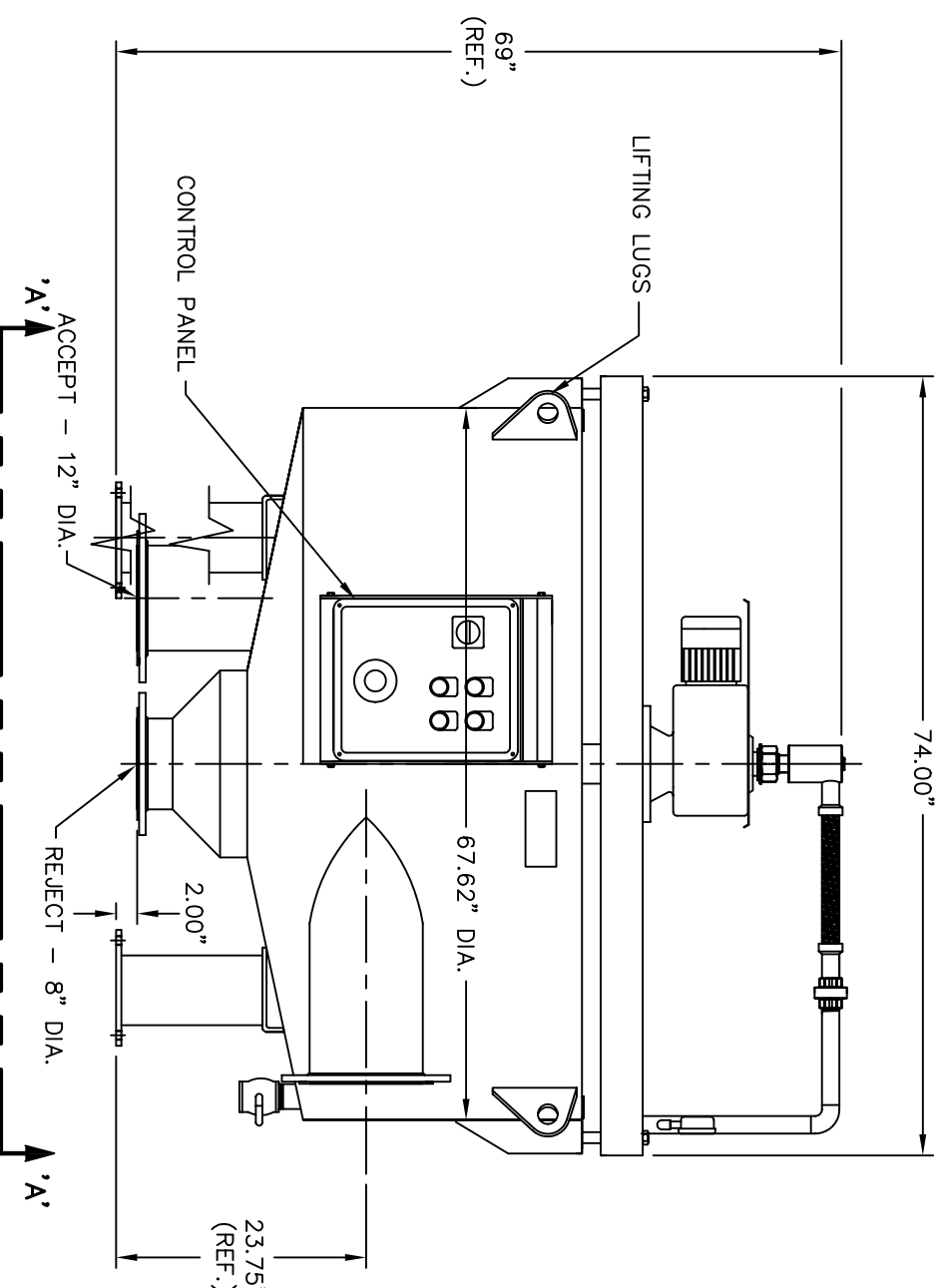
VIEW 'A-A'



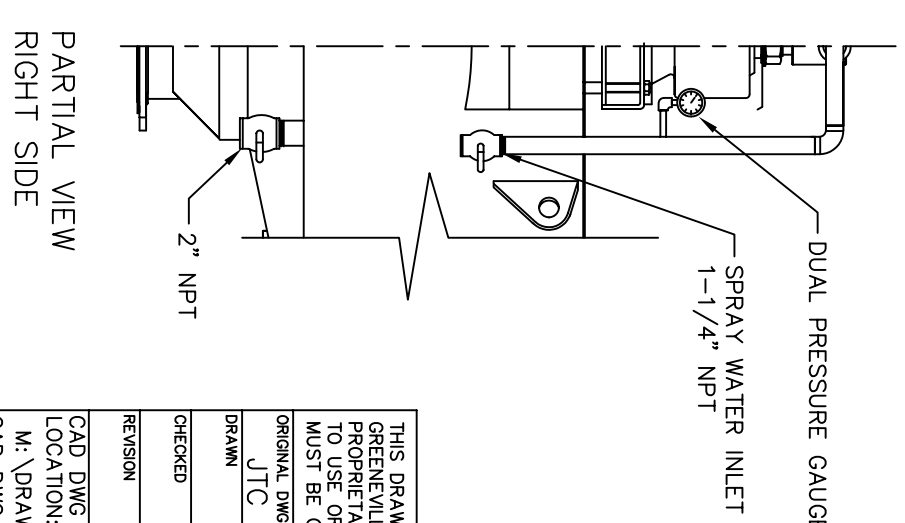
PARTIAL VIEW – TOP



MOUNTING PADS (TYP.) 4 PADS



ACCEPT – 12" DIA. REJECT – 8" DIA. VIEW 'A-A'



PARTIAL VIEW RIGHT SIDE

FOR APPROVAL ONLY
 CUST LOG
 CUST P.O. #
 CVN SYSTEMS S.O. #

THIS DRAWING IS THE PROPERTY OF CVN SYSTEMS, GREENEVILLE, TN USA 37745, AND CONTAINS PROPRIETARY INFORMATION. WRITTEN PERMISSION TO USE OR DISCLOSE ANY INFORMATION HEREIN MUST BE OBTAINED FROM CVN SYSTEMS.



ORIGINAL DWG BY	JTC	DATE	01/20/00	TITLE	OSPREY™ WATER BACKWASH STRAINER
DRAWN		DATE		MODEL	17
CHECKED		DATE		GENERAL	316L STAINLESS STEEL INSTALLATION
REVISION		DATE			
CAD DWG LOCATION:	M:\DRAWINGS\MARKET\				
CAD DWG #	SP-96				
SCALE	DWG No.	REV			
NTS	SP-96				
1612 INDUSTRIAL RD. GREENEVILLE, TN 37745					