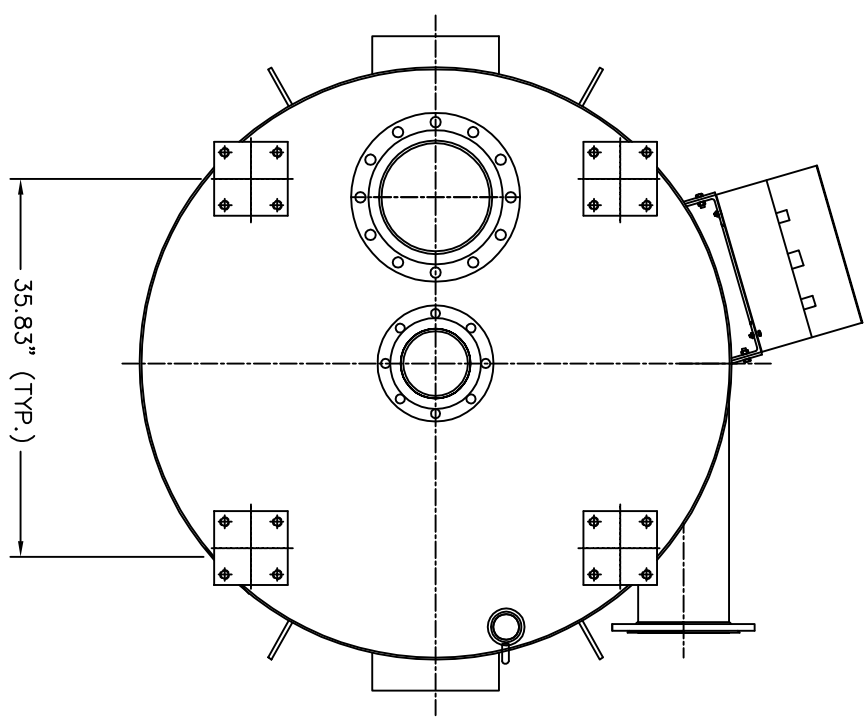


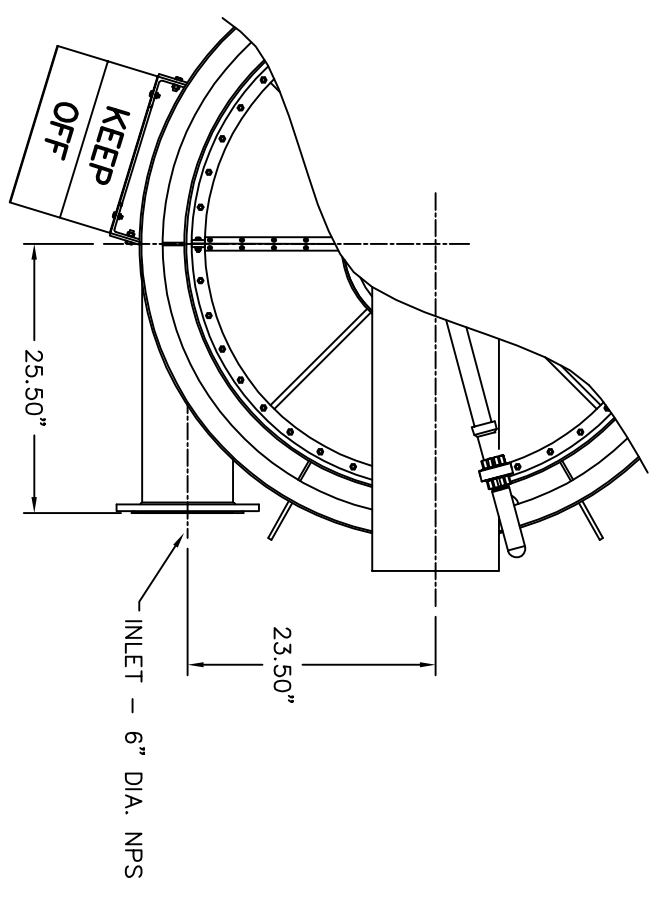
OPERATION PARAMETERS

DESIGN – FLOW RATE(GPM):	150 – 650 GPM
DESIGN – SOLIDS/FIBER (PPM):	
SPRAY WATER FLOW (GPM @ 40 PSI):	14 GPM
NOZZLE QUANTITY :	14
NOZZLE TYPE :	65° FAN, ORIF. DIA.: .075"
NOZZLE PART NO.:	GSD1-6-134
SPRAY INTO REJECT (GPM):	11 – 17 GPM
FILTER MEDIA (MICRON/MESH):	
INLET:	8" NPS DIA.
ACCEPT:	10" NPS DIA.
REJECT:	6" NPS DIA.
VOLTAGE TO PANEL:	110V. 1 PH
SPRAY ARMS ROTATION SPEED RANGE:	5 TO 16 RPM.
MOTOR/GEARBOX HP/RATIO:	1/2 HP/256:1
MOTOR/GEARBOX VOLTAGE:	220-440V 3 PH 60 HZ
SHIPPING WEIGHT:	APPROX 2500 LBS.

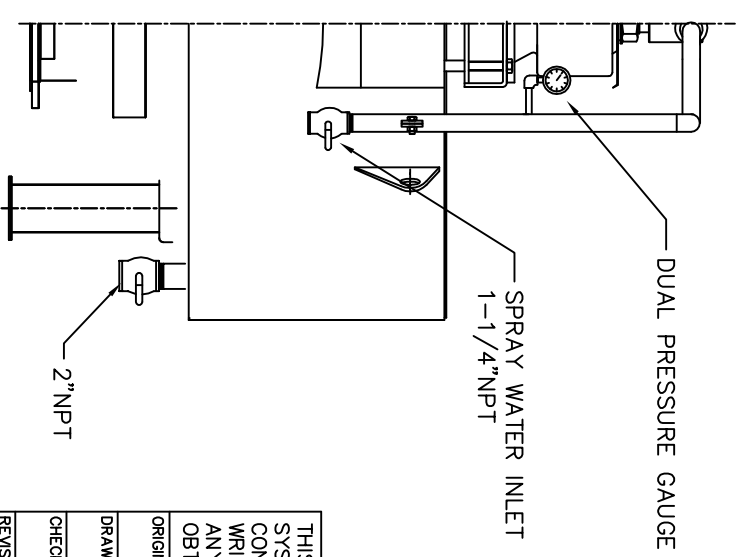
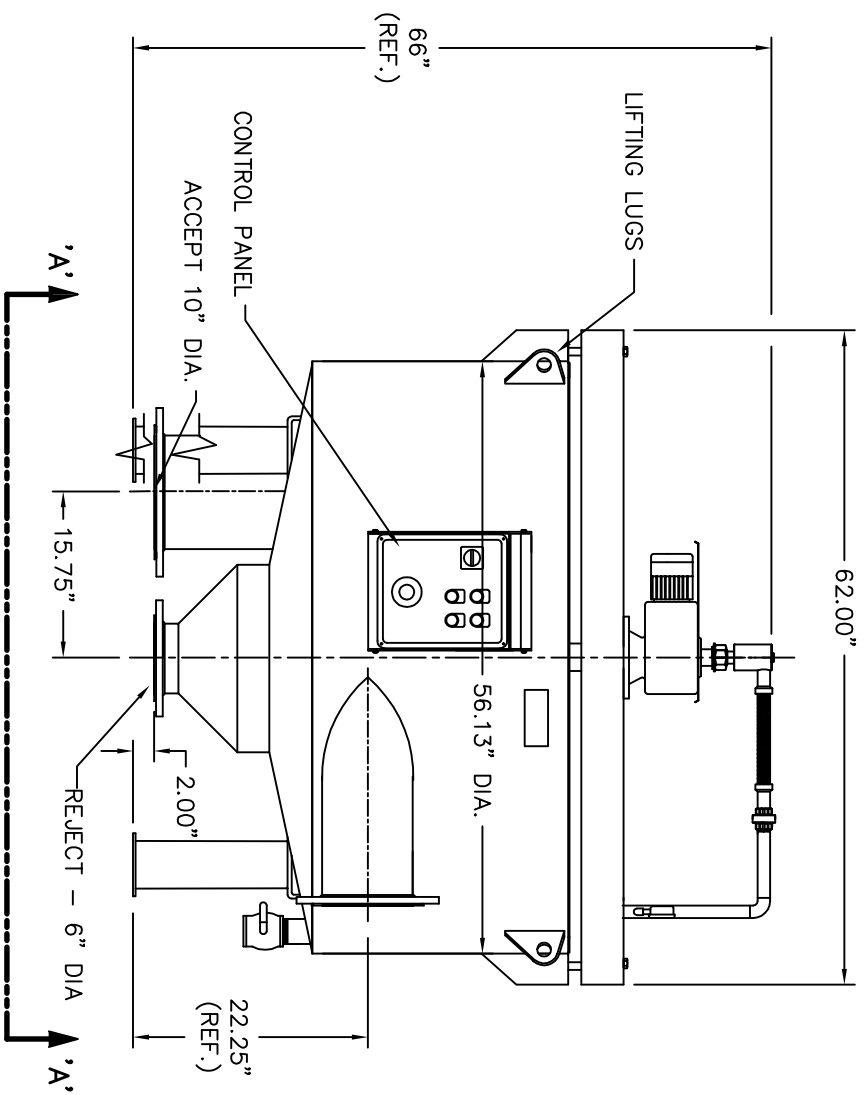
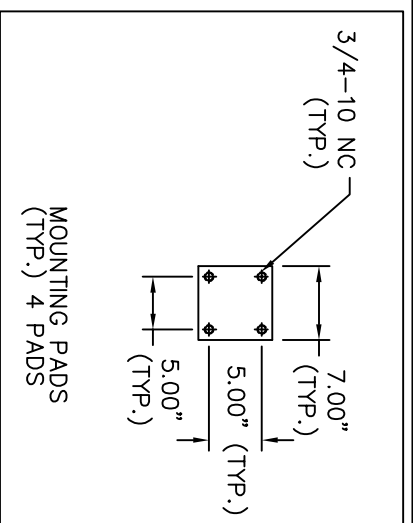
- NOTES:
1. MODEL EQUIPPED WITH TWO SPRAY ARMS.
 2. TOLERANCE – +/-.25"
 3. GALVANIZED FLANGES ARE STANDARD.
 4. 316L STAINLESS STEEL ANGLE RINGS ARE STANDARD.
 5. DO NOT SCALE PRINT



VIEW 'A – A'



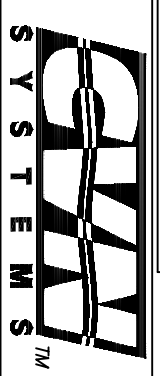
PARTIAL VIEW – TOP



PARTIAL VIEW – RIGHT SIDE

FOR APPROVAL ONLY
 CUST
 CUST LOC
 CUST P.O. #
 CVN SYSTEMS S.O. #

THIS DRAWING IS THE PROPERTY OF CVN SYSTEMS, GREENEVILLE, TN USA 37745, AND CONTAINS PROPRIETARY INFORMATION. WRITTEN PERMISSION TO USE OR DISCLOSE ANY INFORMATION HEREIN MUST BE OBTAINED FROM CVN SYSTEMS.



ORIGINAL DWG BY	JTC	DATE	01/21/01
DRAWN		DATE	
CHECKED		DATE	
REVISION		DATE	

TITLE
 OSPREY™
 WATER BACKWASH STRAINER
 MODEL 14
 316L STAINLESS STEEL
 GENERAL INSTALLATION

CAD DWG LOCATION:
 M: \DRAWINGS\MARKET\
 CAD DWG # SP-95

SIZE SCALE	DWG No.	REV
NTS	SP-95	
1612 INDUSTRIAL RD. GREENEVILLE, TN 37745		