

# Introducing Our New Website



VOONER FLOGARD® CORPORATION

Vacuum Pump System Specialist Since 1983

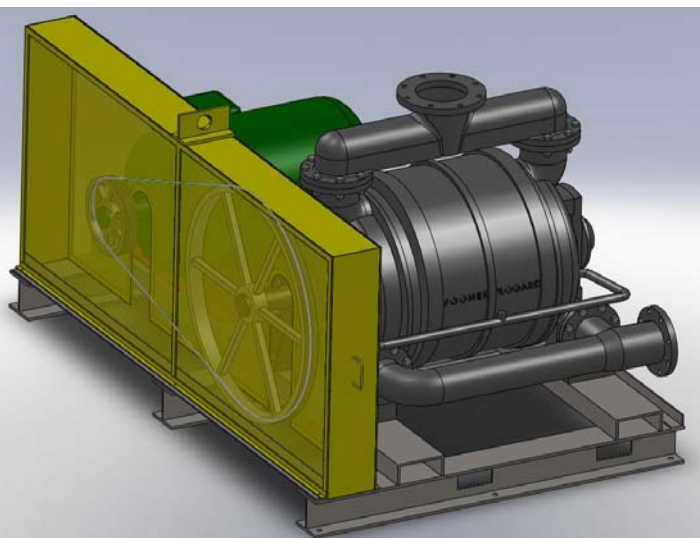
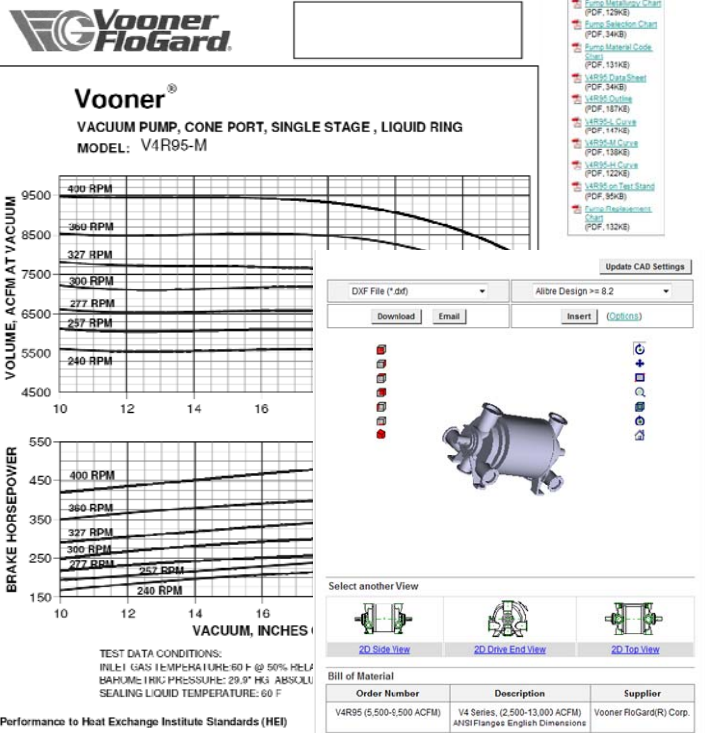
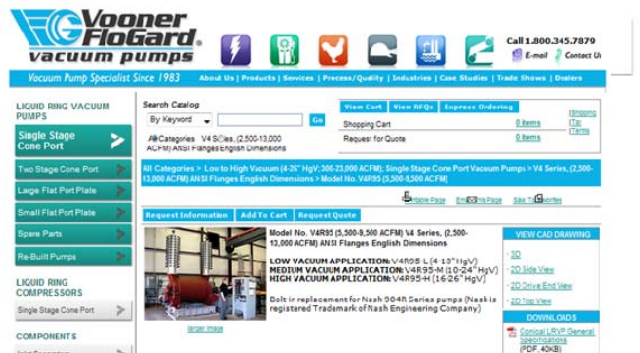
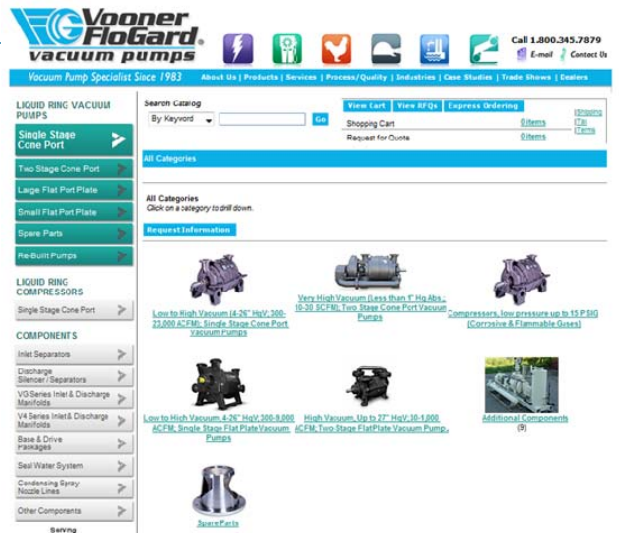
Vooner FloGard® Corporation is pleased to announce that our new website is fully operational and loaded with comprehensive technical data and powerful new engineering features. The homepage provides quick access to a great deal of information about liquid ring vacuum pumps and their applications. Some of the basic information includes:

- PDF's of all Vooner brochures & fliers
- A X-reference chart between Nash & Vooner pumps
- Our "Quick-ship" pump inventory list
- Our pump rebuild and field testing services

Also from the homepage, you can click on "View Catalog" to get complete technical information on the entire Vooner vacuum pump and compressor product line. Once in the catalog, you can select the appropriate pump based on desired airflow and vacuum level. After the pump is selected the user can open and download the following information:

- 2D & 3D drawings in 25 engineering software formats
- Complete performance curves & pump specifications
- PDF outline drawings & technical data sheets
- Materials of construction chart

This information is also complemented by technical information on components and accessories, such as; manifolds, separators, motors, seal water systems and completely engineered skid packages. Our website also provides spare parts information and pricing, including easy on-line ordering. So visit us at: [www.vooner.com](http://www.vooner.com)



Nash is a registered Trademark of Nash Engineering Company

**Vooner FloGard® Corporation**  
 4729 Stockholm Court P.O. Box 240360  
 Charlotte, NC 28273 Charlotte, NC 28224-0360  
 704-552-9314 • 800-345-7879 • Fax: 704-554-8230  
 e-mail: [info@vooner.com](mailto:info@vooner.com) • [www.vooner.com](http://www.vooner.com)